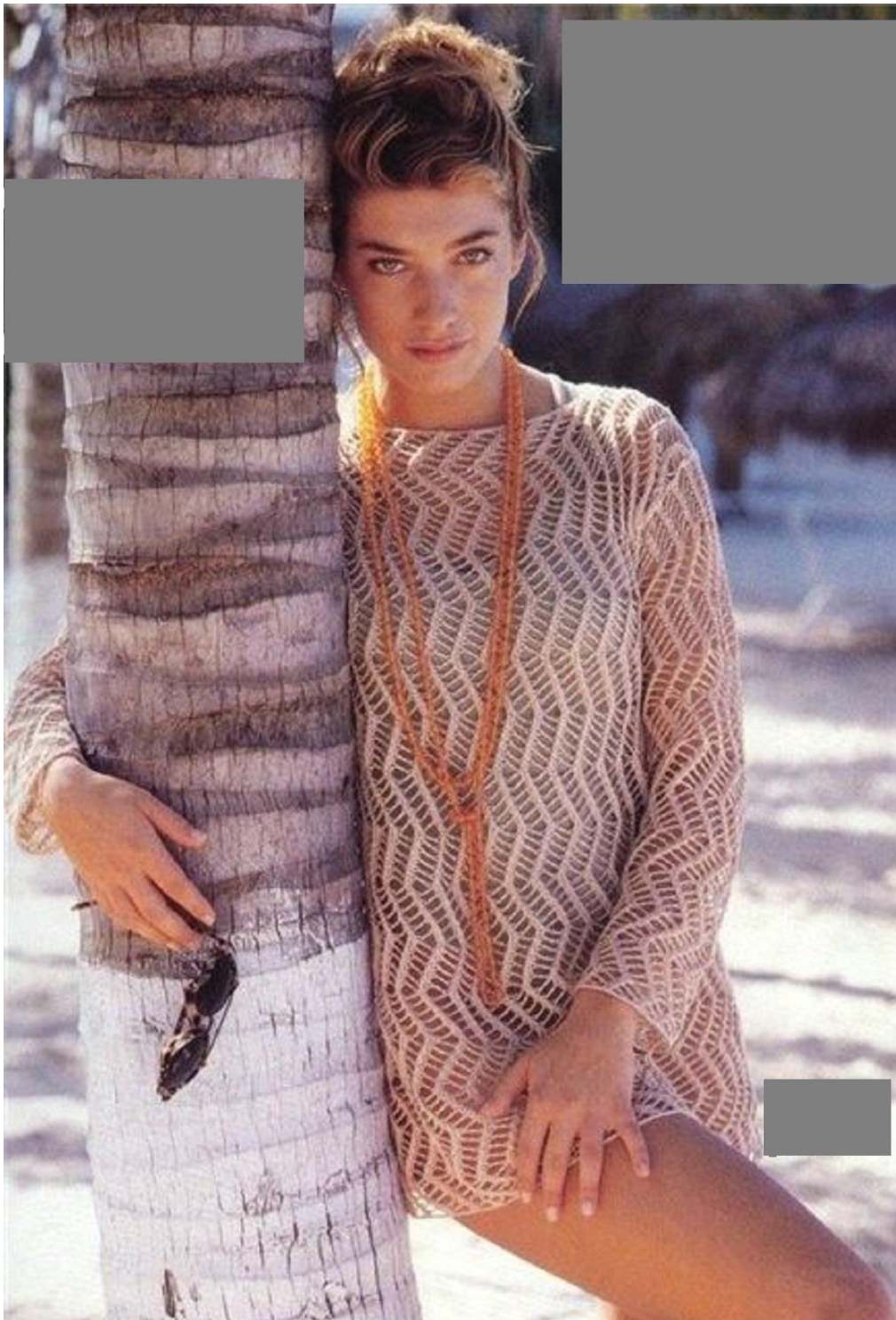


tricot tunique pour la plage

bonjour, pour changer des tuniques au crochet en voici une qui est faite au tricot



la grille est simple et le motif répétitif

0. Knit at least 7 or 8 rows, end with carr on left. Hang weights. Set RC to 0-0-0. With main yarn, place a sl knot onto tappet tool. Bring all WP ndls into HP. With tappet tool below ndls and yarn above ndls, beg on right, ch st over each ndl to last ndl on left. Bring yarn to left of last ndl and hang rem lp from tappet tool onto ndl. Follow basic set-up row of chart, push back every other set of 3 ndls into NWP, dropping all lps on these ndls. With yarn in carr, set carr to knit back all rem ndls from HP back into B position.

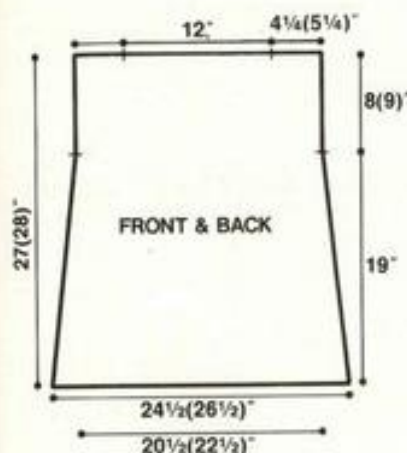
Beg zigzag pat: With carr going from left to right, beg row 1. Cont in pat, AT SAME TIME, dec 1 st each side every 10th row 10 times, every 12th row twice. **Note:** To dec, use 2 prong transfer tool and move 2 constant end sts towards center by 1 ndl, keeping to pat. Work even on 123 (135) ndls to RC 140. Mark each side for armholes. Cont in pat to RC 199 (207). Knit off all sts on waste yarn.

FRONT

Work as for back.

SHOULDER JOINING

**With RS of front and back facing, crochet hook and main yarn, sl st first 3 shoulder sts tog across top, ch 3, *sl st next 3 sts tog, ch 3; rep from * 2 (3) times more, sl next 2 sts tog—26 (32) sts. Do not break yarn.



Neck opening

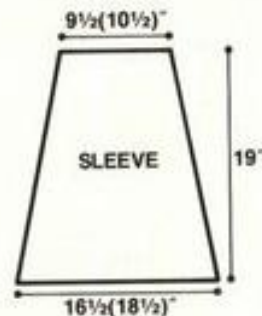
Sl st into next st of front piece only, ch 3, *sl st into next 3 sts of front piece, ch 3; rep from * 10 times more, sl st into next st of front—71 sts. Fasten off. Rep from ** for other shoulder and back neck opening.

SLEEVES

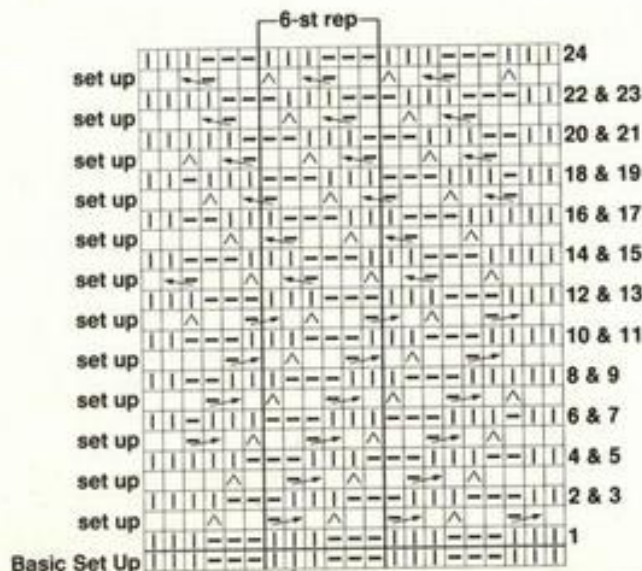
(Note: Sleeves are worked from top down.) With WS facing and carr on left, hang side edge between armhole markers of front and back evenly spaced across 99 (111) ndls. Follow basic set-up row of chart, bring WP ndls into HP. Set RC to 0-0-0. With main yarn in carr, set carr to knit back all rem ndls from HP back into B position. **Beg zigzag pat:** With carr going from left to right, beg row 1. Cont in pat, AT SAME TIME, dec 1 st each side as for back every 8th row 3 (0) times, every 6th row 18 (19) times, every 4th row 0 (5) times. Work over rem 57 (63) ndls to RC 139. Knit off all sts with waste yarn. With crochet hook and main yarn, close open edge as foll: sl st over first 3 sts, *ch 3, sl st over next 3 sts; rep from * across. Fasten off.

FINISHING

Remove all waste yarn. Block pieces carefully to prevent curling. Sew side and sleeve seams.



- WP ndl, yarn knits these ndls
- NWP ndl, yarn passes over these ndls
- Bring NWP ndl into WP
- transfer st to adjacent ndl to right, push empty ndl into NWP
- transfer st to adjacent ndl to left, push empty ndl into NWP



ici les schémas montrent que la tunique est cintrée au niveau des emmanchures

n'étant pas une pro de la traduction, j'en laisse le soin à celles qui manipulent plutôt bien internet il suffit de traduire, cependant les traductions font parfois sourire ou rire

Mon Conseil : faite la tunique droite, du coup: pas de prise de tête avec les diminutions idem pour les manches

à faire avec des aiguille n°3, si vous voulez garder cette finesse de dessin

bonne journée